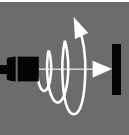


DC 3-/4-wire Inductive Sensors

Cylinder designs, M30×1.5



Inductive Sensors

Global DC 3-wire

DC 3-/4-wire

Cylinder Designs
Block Designs

DC 2-wire

AC/DC 2-wire

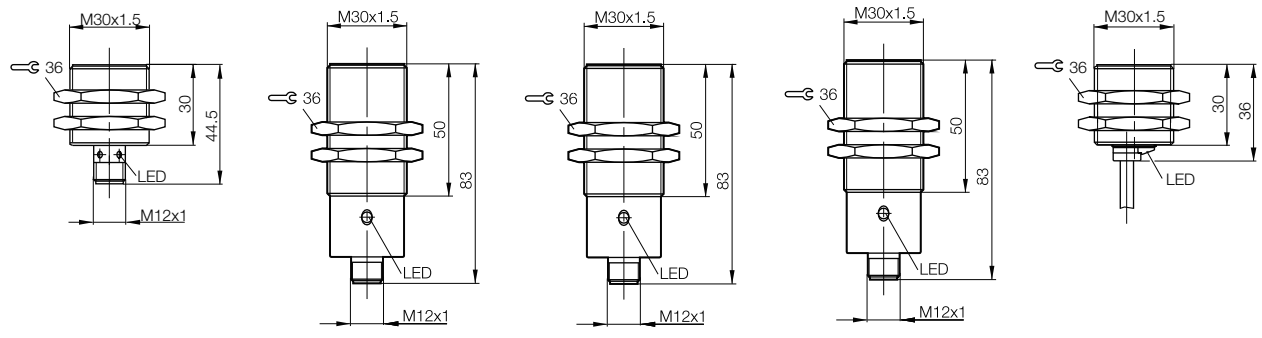
AC 2-wire

Special Properties

Analog Distance Measurement

Accessories

M30×1.5	M30×1.5	M30×1.5	M30×1.5	M30×1.5
Flush	Flush	Flush	Flush	Flush
10 mm	10 mm	10 mm	10 mm	10 mm
0...8 mm	0...8.1 mm	0...8.1 mm	0...8.1 mm	0...8.1 mm
■	■	■	■	■
BES00RP	BES01EE	BES02F1		BES00RF
BES 516-327-E5-Y-S4	BES 516-327-S4-C	BES 515-327-S4-C		BES 516-327-E4-Y-02
BES00LM	BES0195			
BES 516-3028-E5-Y-S4	BES 516-3028-S4-C			
	BES0167		BES02E0	
	BES 516-114-S4-C		BES 515-114-S4-C	
BES00W9	BES01HL			BES00W5
BES 516-359-E5-Y-S4	BES 516-359-S4-C			BES 516-359-E4-Y-02
	BES016J			
	BES 516-120-S4-C			
10...30 V DC	10...30 V DC	10...30 V DC	10...30 V DC	10...30 V DC
3.5 V	2.5 V	2.5 V	2.5 V	3.5 V
75 V DC	250 V AC (□)	250 V AC (□)	250 V AC (□)	75 V DC
130 mA	200 mA	200 mA	200 mA	130 mA
Yes/Yes/Yes	Yes/Yes/Yes	Yes/Yes/Yes	Yes/Yes/Yes	Yes/Yes/Yes
-25...+70 °C	-25...+70 °C	-25...+70 °C	-40...+85 °C	-25...+70 °C
200 Hz	300 Hz	300 Hz	300 Hz	200 Hz
Yellow LED	Yellow LED	Yellow LED	Yellow LED	Yellow LED
IP 67	IP 68 per BWN Pr. 20	IP 68 per BWN Pr. 20	IP 68 per BWN Pr. 20	IP 68 per BWN Pr. 20
CE, cULus	CE, cULus	CE, cULus	CE, cULus	CE, cULus
Brass-coated	Brass-coated	Stainless steel	Stainless steel	Brass-coated
PA 12	PA 12	PA 12	PA 12	PA 12
M12 connector, 4-pin	M12 connector, 4-pin	M12 connector, 4-pin	M12 connector, 4-pin	2 m PVC cable, 3×0.34 mm ²



DC 3-/4-wire Inductive Sensors

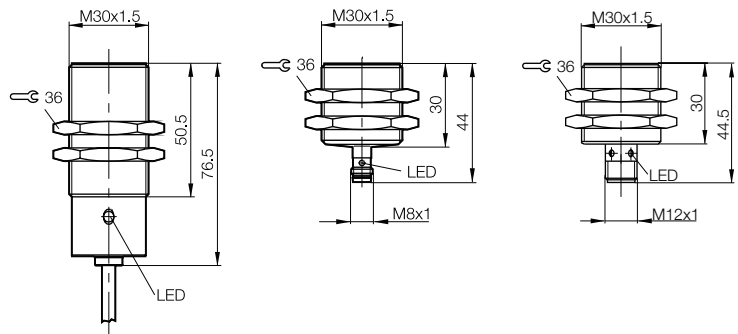
Cylinder designs, M30x1.5



Model		M30x1.5	M30x1.5	M30x1.5
Installation type (observe instructions in the Basic Information chapter)		Flush	Flush	Flush
Rated switching distance s_n		10 mm	15 mm	15 mm
Assured switching distance s_a		0...8.1 mm	0...12 mm	0...12 mm
Switching distance marking		■	■■	■■■
PNP, NO	Ordering code	BES01E3	BES00RY	BES00RW
	Part number	BES 516-327-BO-C-02	BES 516-327-G-E5-Y-S49	BES 516-327-G-E5-Y-S4
PNP, NC	Ordering code			BES00LU
	Part number			BES 516-3028-G-E5-Y-S4
PNP, complementary	Ordering code			
	Part number			
NPN, NO	Ordering code	BES01HF	BES00WE	
	Part number	BES 516-359-BO-C-02	BES 516-359-G-E5-Y-S49	
Supply voltage U_s		10...30 V DC	10...30 V DC	10...30 V DC
Voltage drop U_d at I_e max.		2.5 V	3.5 V	3.5 V
Rated insulation voltage U_i (protection class)		250 V AC (□)	75 V DC	75 V DC
Rated operating current I_e		200 mA	130 mA	130 mA
Polarity reversal protected/transposition protected/short-circuit protected		Yes/Yes/Yes	Yes/Yes/Yes	Yes/Yes/Yes
Ambient temperature T_a		-25...+70 °C	-25...+70 °C	-25...+70 °C
Switching frequency f max.		300 Hz	100 Hz	100 Hz
Output function indicator		Yellow LED	Yellow LED	Yellow LED
Degree of protection as per IEC 60529		IP 67	IP 67	IP 68 per BWN Pr. 20
Approvals		CE, cULus	CE, cULus	CE, cULus
Special properties				
Material	Housing	Brass-coated	Brass-coated	Brass-coated
	Sensing surface	PA 12	PA 12	PA 12
Connection		2 m PVC cable, 3x0.34 mm ²	M8 connector, 3-pin	M12 connector, 4-pin

Wiring diagrams, see page 958.
The meaning of switching distance markings can be found on page 962.

Additional cable lengths and PUR cable jacket material available on request



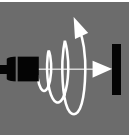
DC 3-/4-wire Inductive Sensors

Cylinder designs, M30×1.5

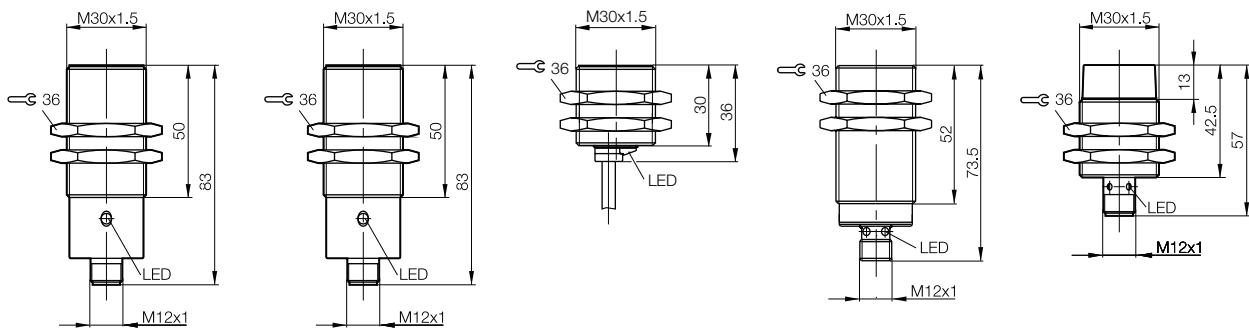


TRIPLEPROX

M30×1.5	M30×1.5	M30×1.5	M30×1.5	M30×1.5
Flush	Flush	Flush	Quasi-flush	Not flush
15 mm	15 mm	15 mm	22 mm	15 mm
0...12 mm	0...12 mm	0...12 mm	0...17.6 mm	0...12.2 mm
■	■	■	■■■	■
BES01EA	BES01EC	BES00RR	BES02YM	BES00Y0
BES 516-327-G-S4-C	BES 516-327-G-S4-H	BES 516-327-G-E4-Y-02	BES M30MI1-PSC22B-S04G	BES 516-362-E5-Y-S4
		BES00LN	BES02YL	BES00LZ
		BES 516-3028-G-E4-Y-02	BES M30MI1-POC22B-S04G	BES 516-3029-E5-Y-S4
	BES0166			BES00Y4
	BES 516-114-G-S4-H			BES 516-363-E5-Y-S4
		BES00WA	BES02YK	
		BES 516-359-G-E4-Y-02	BES M30MI1-NSC22B-S04G	
10...30 V DC	10...55 V DC	10...30 V DC	10...30 V DC	10...30 V DC
2.5 V	2.5 V	3.5 V	2 V	3.5 V
250 V AC (□)	250 V AC (□)	75 V DC	75 V DC	75 V DC
200 mA	200 mA	130 mA	200 mA	130 mA
Yes/Yes/Yes	Yes/Yes/Yes	Yes/Yes/Yes	Yes/Yes/Yes	Yes/Yes/Yes
-25...+70 °C	-25...+70 °C	-25...+70 °C	-25...+70 °C	-25...+70 °C
100 Hz	150 Hz	100 Hz	200 Hz	100 Hz
Yellow LED	Yellow LED	Yellow LED	Yellow LED	Yellow LED
IP 67	IP 68 per BWN Pr. 20	IP 68 per BWN Pr. 20	IP 67	IP 67
CE, cULus	CE	CE, cULus	CE	CE, cULus
			Large switching distance	
Brass-coated	Brass-coated	Brass-coated	Brass-coated	Brass-coated
PA 12	PA 12	PA 12	PBT	PA 12
M12 connector, 4-pin	M12 connector, 4-pin	2 m PVC cable, 3×0.34 mm ²	M12 connector, 4-pin	M12 connector, 4-pin



- Inductive Sensors
- Global DC 3-wire
- DC 3-/4-wire
- Cylinder Designs
- Block Designs
- DC 2-wire
- AC/DC 2-wire
- AC 2-wire
- Special Properties
- Analog Distance Measurement
- Accessories



DC 3-/4-wire Inductive Sensors

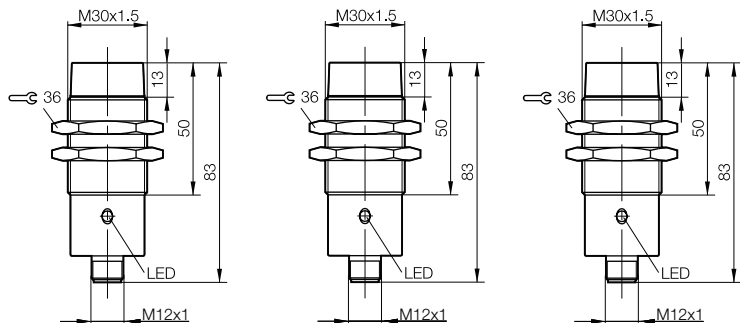
Cylinder designs, M30x1.5



Model		M30x1.5	M30x1.5	M30x1.5
Installation type (observe instructions in the Basic Information chapter)		Not flush	Not flush	Not flush
Rated switching distance s_n		15 mm	15 mm	15 mm
Assured switching distance s_a		0...12.2 mm	0...12.2 mm	0...12.2 mm
Switching distance marking		■	■	■
PNP, NO	Ordering code	BES01JE	BES03AL	BES01JF
	Part number	BES 516-362-S4-C	BES M30ML-PSC15F-S04G-002	BES 516-362-S4-H
PNP, NC	Ordering code	BES0198		
	Part number	BES 516-3029-S4-C		
PNP, complementary	Ordering code	BES0173		
	Part number	BES 516-125-S4-C		
NPN, NO	Ordering code	BES01JN	BES03AT	
	Part number	BES 516-363-S4-C	BES M30ML-NSC15F-S04G-002	
NPN, NC	Ordering code	BES019N		
	Part number	BES 516-3033-S4-C		
Supply voltage U_s		10...30 V DC	10...30 V DC	10...55 V DC
Voltage drop U_d at I_o max.		2.5 V	2.5 V	1.5 V
Rated insulation voltage U_i (protection class)		250 V AC (□)	250 V AC (□)	250 V AC (□)
Rated operating current I_o		200 mA	200 mA	200 mA
Polarity reversal protected/transposition protected/short-circuit protected		Yes/Yes/Yes	Yes/Yes/Yes	Yes/Yes/Yes
Ambient temperature T_a		-25...+70 °C	-25...+70 °C	-25...+70 °C
Switching frequency f max.		100 Hz	75 Hz	400 Hz
Output function indicator		Yellow LED	Yellow LED	Yellow LED
Degree of protection as per IEC 60529		IP 68 per BWN Pr. 20	IP 67	IP 68 per BWN Pr. 20
Approvals		CE, cULus	CE	CE
Special properties				
Material	Housing	Brass-coated	Brass-coated	Brass-coated
	Sensing surface	PA 12	PA 12	PA 12
Connection		M12 connector, 4-pin	M12 connector, 4-pin	M12 connector, 4-pin

Wiring diagrams, see page 958.
The meaning of switching distance markings can be found on page 962.

Additional cable lengths and PUR cable jacket material available on request

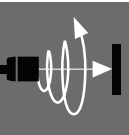


DC 3-/4-wire Inductive Sensors

Cylinder designs, M30x1.5



TRIPLEPROX



Inductive Sensors

Global DC 3-wire

DC 3-/4-wire

Cylinder Designs

Block Designs

DC 2-wire

AC/DC 2-wire

AC 2-wire

Special Properties

Analog Distance Measurement

Accessories

M30x1.5	M30x1.5	M30x1.5	M30x1.5	M30x1.5
Not flush	Not flush	Not flush	Not flush	Not flush
15 mm	15 mm	15 mm	30 mm	40 mm
0...12.2 mm	0...12.2 mm	0...12.2 mm	0...24.00 mm	0...32 mm
■	■	■	■ ■	■ ■ ■
BES02FN	BES00WU	BES01J6	BES01JC	BES02YJ
BES 515-362-S4-C	BES 516-362-E4-Y-02	BES 516-362-BO-C-02	BES 516-362-G-S4-H	BES M30MG1-PSC40F-S04G
	BES00LW			
	BES 516-3029-E4-Y-02			
		BES01JJ		
		BES 516-363-BO-C-02		
	BES00Y1	BES019L		BES02YH
	BES 516-363-E4-Y-02	BES 516-3033-BO-C-02		BES M30MG1-NSC40F-S04G
10...30 V DC	10...30 V DC	10...30 V DC	10...55 V DC	10...30 V DC
2.5 V	3.5 V	2.5 V	2.5 V	2 V
250 V AC (□)	75 V DC	250 V AC (□)	250 V AC	75 V DC
200 mA	130 mA	200 mA	200 mA	200 mA
Yes/Yes/Yes	Yes/Yes/Yes	Yes/Yes/Yes	Yes/Yes/Yes	Yes/Yes/Yes
-25...+70 °C	-25...+70 °C	-25...+70 °C	-25...+70 °C	-25...+70 °C
100 Hz	100 Hz	100 Hz	70 Hz	100 Hz
Yellow LED	Yellow LED	Yellow LED	Yellow LED	Yellow LED
IP 68 per BWN Pr. 20	IP 68 per BWN Pr. 20	IP 68 per BWN Pr. 20	IP 68 per BWN Pr. 20	IP 54
CE, cULus	CE, cULus	CE, cULus	CE	CE
Stainless steel	Brass-coated	Brass-coated	Brass-coated	Large switching distance Brass-coated
PA 12	PA 12	PA 12	PA 12	PBT
M12 connector, 4-pin	2 m PVC cable, 3x0.34 mm	2 m PVC cable, 3x0.34 mm	M12 connector, 4-pin	M12 connector, 4-pin

